

ELVINO



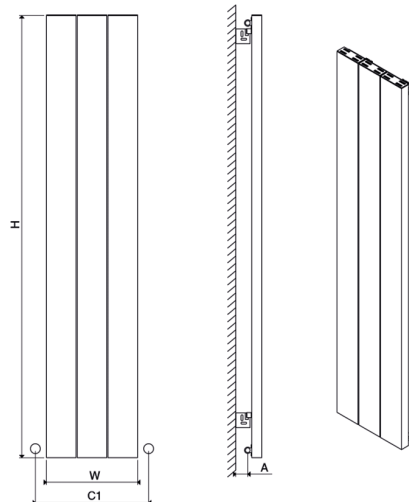
ELVINO

Material	Stock Finishes	Guarantee	Installation
Aluminium	PLS SEE COLOUR KEY CHART - Click for Link	5 Years	Vertical Horizontal

PRODUCT CODE	Height (mm) H	Width (mm) W	Sections n	Pipe Centers (mm) C1	Wall to pipe Centers A (mm)	Wall Distance D (mm)	Nett Weight (kg)	Water Content (lt)	Fuel Type	Heat Outputs	
										Watts	BTU
ELV 0370180003	1800	370	3	460	30-50	85-105	17,9	1.4	C	1654	5644
ELV 0495180004	1800	495	4	585	30-50	85-105	23,8	1.9	C	2205	7523
ELV 0745060006	600	745	6	835	30-50	85-105	11,9	0,9	C	1281	4371
ELV 0995060008	600	995	8	1085	30-50	85-105	15,9	1,2	C	1708	5828
ELV 1245060010	600	1245	10	1335	30-50	85-105	19,9	1,6	C	2135	7285

Please add finishing code at the end of the product code **Code example : ELV 0370180003 TXB**

Fuel type i.e. C: Central Heating
E: Electrical Heating
D: Dual Heating (C+E)



A full range of made to order sizes available.

Please ask for details.

Radiator width for made to order sizes (n x 125) - 5 mm

n = number of sections

Max. working pressure 10 bar

Max. working temperature 95 °C

Connections 1/2"

Section width 120 mm

Section depth 70 mm

Pipe center C1 W + 90 mm