

ELLIPTIC BATH



carisa
designer radiators

ELLIPTIC BATH

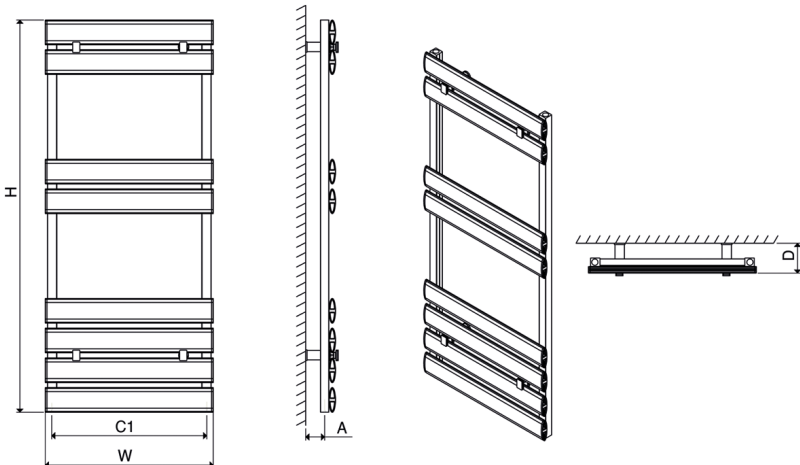
Material	Stock Finishes	Guarantee	Installation
Aluminium	PLS SEE COLOUR KEY CHART - Click for Link	5 Years	Vertical

PRODUCT CODE	Height (mm) H	Width (mm) W	Sections n	Pipe Centers (mm) C1	Wall to pipe Centers A (mm)	Wall Distance D (mm)	Nett Weight (kg)	Water Content (lt)	Fuel Type	Heat Outputs	
										Watts	BTU
EPB 0500079006	790	500	6	475	57-77	91-111	5.2	1.0	D	524	1787
EPB 0500119008	1190	500	8	475	57-77	91-111	7.1	1.5	D	698	2383
EPB 0500159010	1590	500	10	475	57-77	91-111	9.1	2.0	D	873	2979

Please add finishing code at the end of the product code

Code example : EPB 0500159010 **PLS**

Fuel type i.e.
C: Central heating
E: Electrical heating
D: Dual heating (C+E)



A full range of made to order sizes available.

Please ask for details.

n = number of sections

Max. working pressure 10 bar

Max. working temperature 95 °C

Connections 1/2"

Section width 75 mm

Section depth 46 mm

Pipe center C1 W - 25 mm